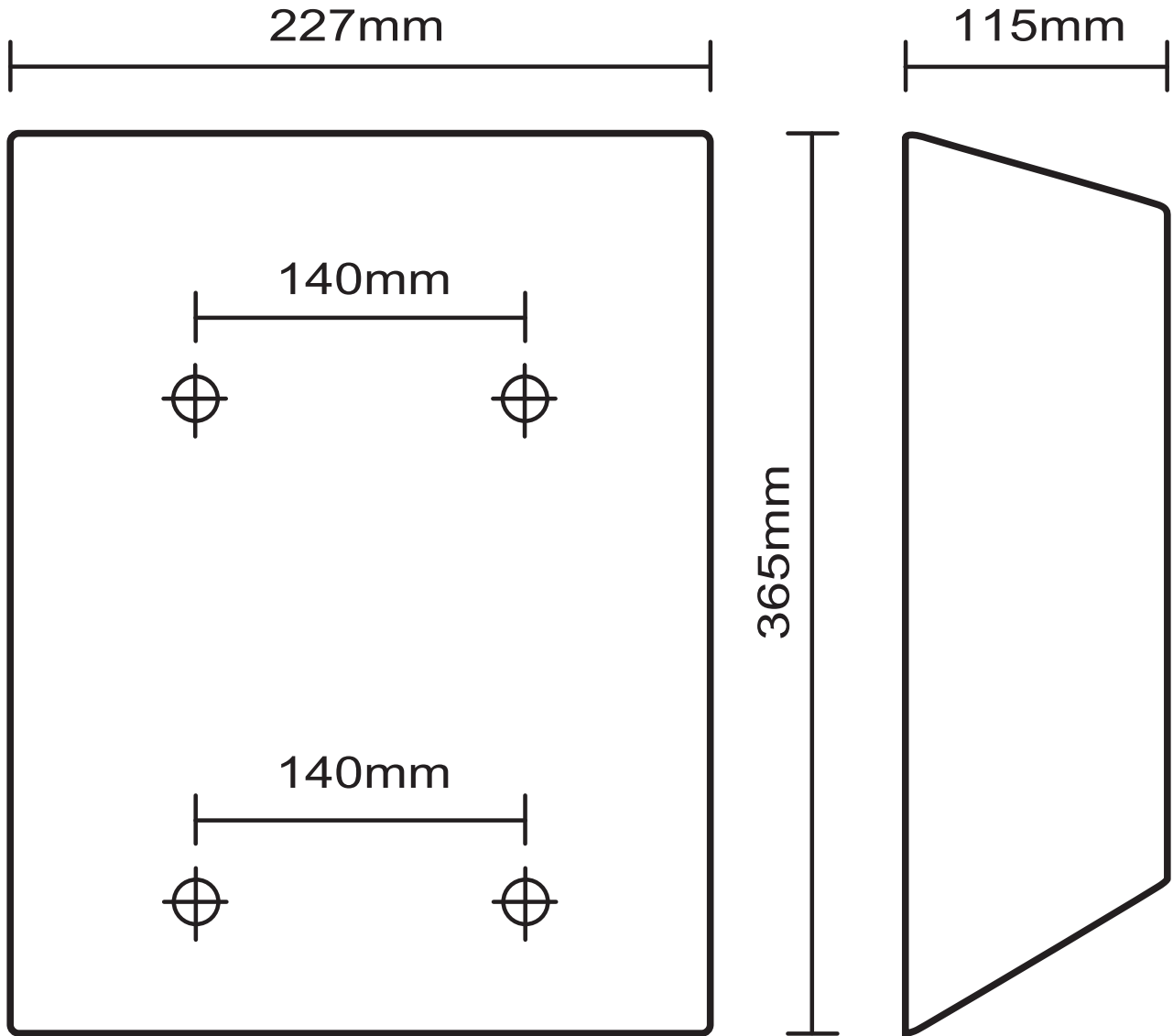


Code: 4904 Single Sheet Wiper Dispenser



Suits WYPALL* code 94186.