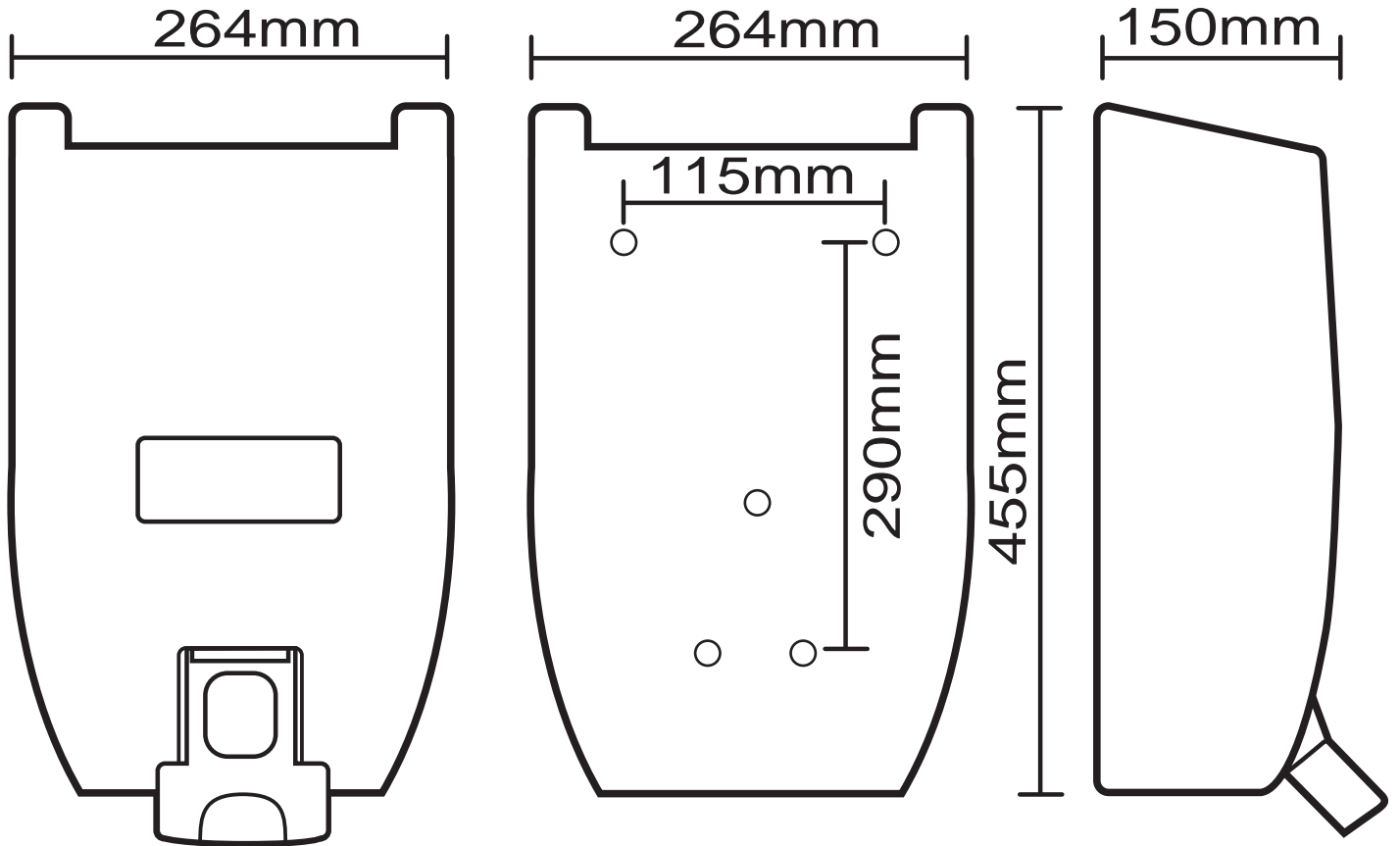


Code: 4363 Push Dispenser



Suits KIMBERLY-CLARK® code 4353.