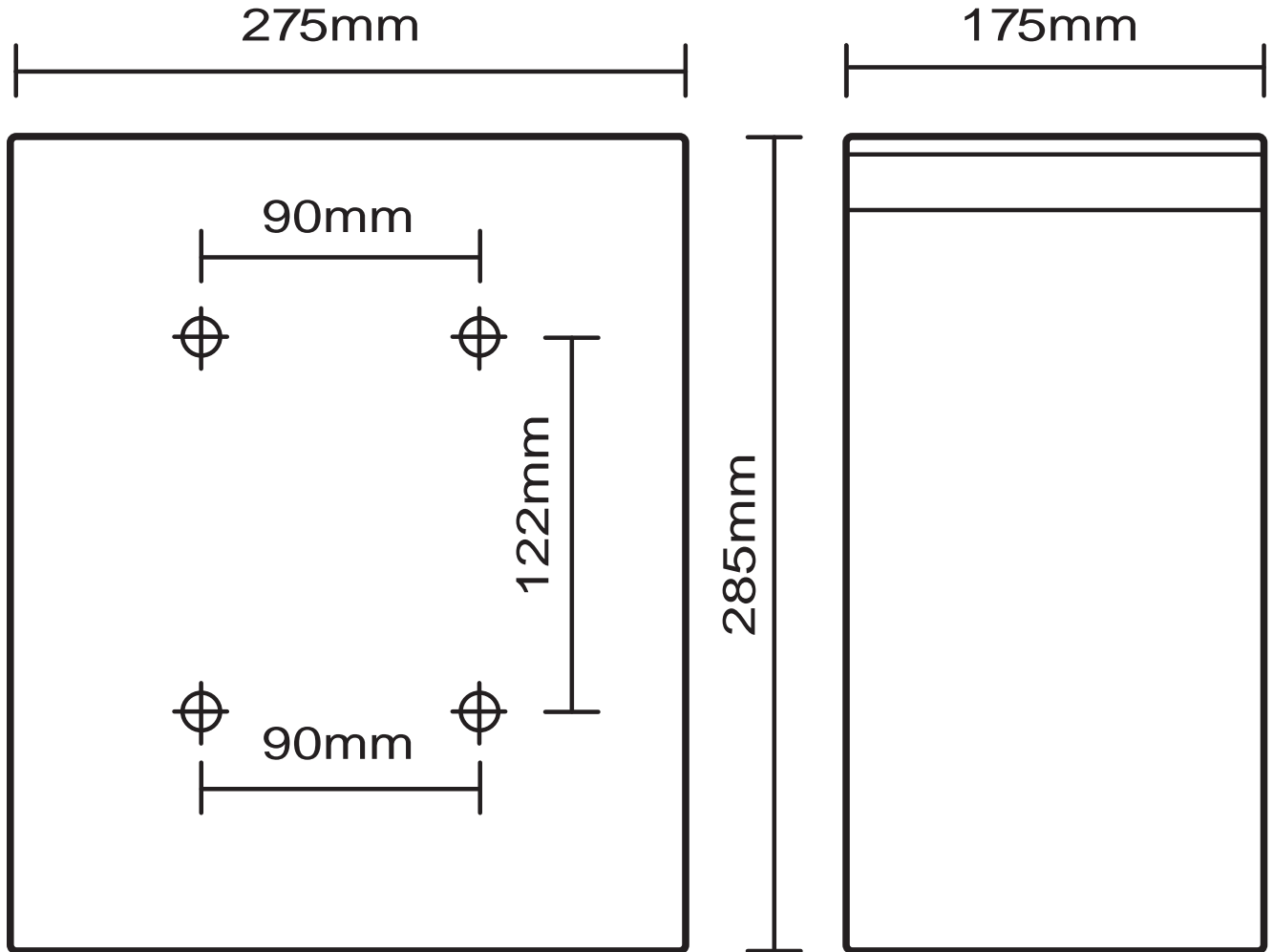


**Code: 4927** Single Sheet Wall or Bench Dispenser



Suits WYPALL® X50 codes 4199, 4201, 4202.