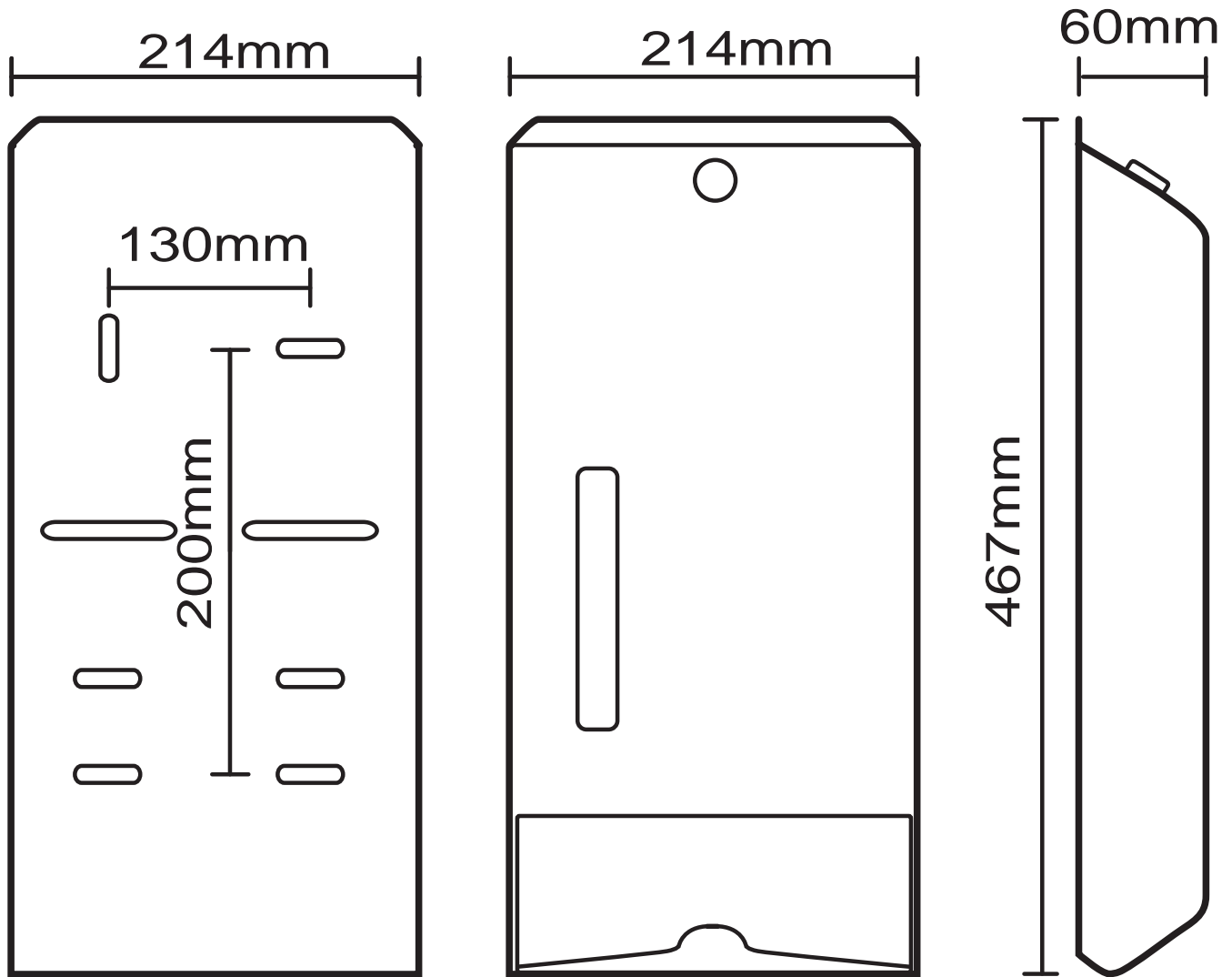


# Code: 4970 Compact Towel Dispenser



Suits SCOTT® codes 4440, 4442, 4444,  
COSTSAVER® code 5855.